

Exclusive

5 YEAR
Warranty

Bergey Turbines are

Tornado-Tuff
 Designed, Built, and Proven
 in America's Tornado Alley

BERGEY DIRECT
 www.bergey.com

BWC XL.1

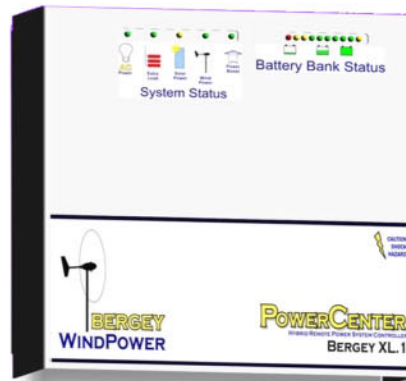
1 kW CLASS WIND TURBINE

- 5 - YEAR WARRANTY
- MAINTENANCE FREE DESIGN
- NEARLY SILENT OPERATION
- EXCELLENT LOW WIND PERFORMANCE
- AUTO FURL AUTOMATIC STORM PROTECTION
- STATE-OF-THE-ART AIRFOIL (PAT. PENDING)
- DIRECT-DRIVE NEODYMIUM PM ALTERNATOR
- POWERCENTER MULTI-FUNCTION CONTROLLER
- BATTERY-FRIENDLY OPTICHAARGE REGULATION
- OPTIONAL INTEGRATED 500 W SINE INVERTER
- COMPLETE TUBULAR TILT-UP TOWERS AVAILABLE
- COMPLETE "PLUG AND PLAY" SYSTEMS AVAILABLE

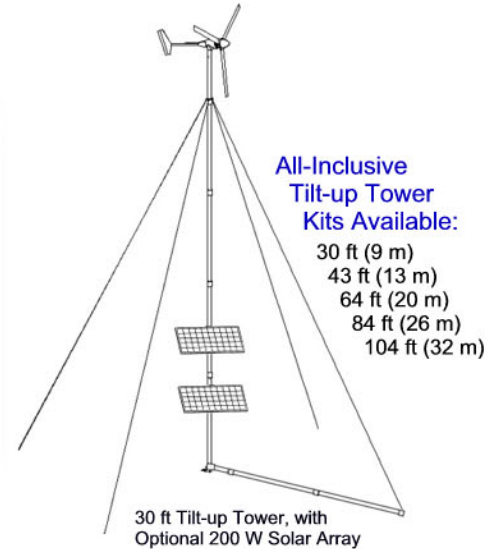
24 Volt DC Battery Charging
 120 Volt, 60 Hz AC (Optional)
 230 Volt, 50 Hz AC (Optional)
 (off-grid use only)

The Bergey XL.1 is the most technically advanced small wind turbine ever. It comes from the world's leading manufacturer of small wind turbines and is backed by a full 5-year warranty. The XL.1 wind turbine is designed for high reliability, low maintenance, and automatic operation in adverse weather conditions. And the XL.1's "all-in-one" PowerCenter provides complete hybrid system integration, including an optional on-board sine wave inverter. Owner installations are a snap with Tilt-up Tower options from 30 - 104 ft.

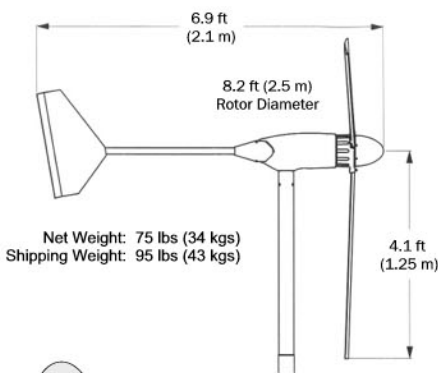
Easy to install, extremely reliable, and a solid value, the Bergey XL.1 is the clear choice for your home energy system.



BWC XL.1 PowerCenter Controller

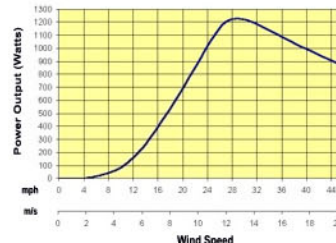


THE ONLY MOVING PARTS ARE THE PARTS YOU SEE MOVING



Performance

Start-up Wind Speed ... 6.7 mph (3 m/s)
 Cut-In Wind Speed ... 5.6 mph (2.5 m/s)
 Rated Power ... 1,000 Watts
 Rated Wind Speed ... 24.6 mph (11 m/s)
 Rated Rotor Speed ... 490 RPM
 Furling Wind Speed ... 29 mph (13 m/s)
 Max. Design Wind Speed ... 120 mph (54 m/s)



Predicted Energy Production

Wind Speeds Taken at Top of Tower

Annual Average Wind Speed (m/s)	3.5	4	4.5	5	5.5	6	6.5
Annual Average Wind Speed (mph)	7.8	8.9	10.1	11.2	12.3	13.4	14.5
Production in kWh (24 VDC)	Daily	1.9	2.8	3.9	5.1	6.4	7.7
	Monthly	55	85	115	155	195	235
	Annually	680	1,010	1,410	1,850	2,320	2,790

Wind Speeds Taken at 10 meters (per standard wind resource maps)

US-DOE Wind Power Class		1	2	3	4	5	6	7
Annual Average Wind Speed (mph)		~ 8.9	~ 10.7	~ 12.1	~ 13.0	~ 13.9	~ 15.0	~ 16.8
Annual Average Wind Speed (m/s)		~ 4.0	~ 4.8	~ 5.4	~ 5.8	~ 6.2	~ 6.7	~ 8.4
Production in kWh (24 VDC)	30 ft (9m) Tower	Daily	2.6	4.3	5.8	6.8	7.8	9.1
		Monthly	80	130	175	205	240	275
	64 ft (20m) Tower	Daily	4.1	6.4	8.2	9.3	10.4	11.7
		Monthly	125	195	250	285	320	355
	104 ft (32m) Tower	Daily	5.2	7.8	9.7	10.9	12.0	13.1
		Monthly	160	235	295	330	365	400

Assumptions: Inland site, Rayleigh Wind Distribution, Shear Exponent = 0.20, Altitude = 1000R (300m).
 Note: Battery charge regulation (batteries full) and wire run losses will reduce actual XL.1 performance.

Your Performance May Vary.

Dealer:



SIMPLICITY • RELIABILITY • PERFORMANCE

2001 PRIESTLEY AVE.
 NORMAN, OK 73069
 T: 405-364-4212
 F: 405-364-2078
 SALES@BERGEY.COM
 www.bergey.com